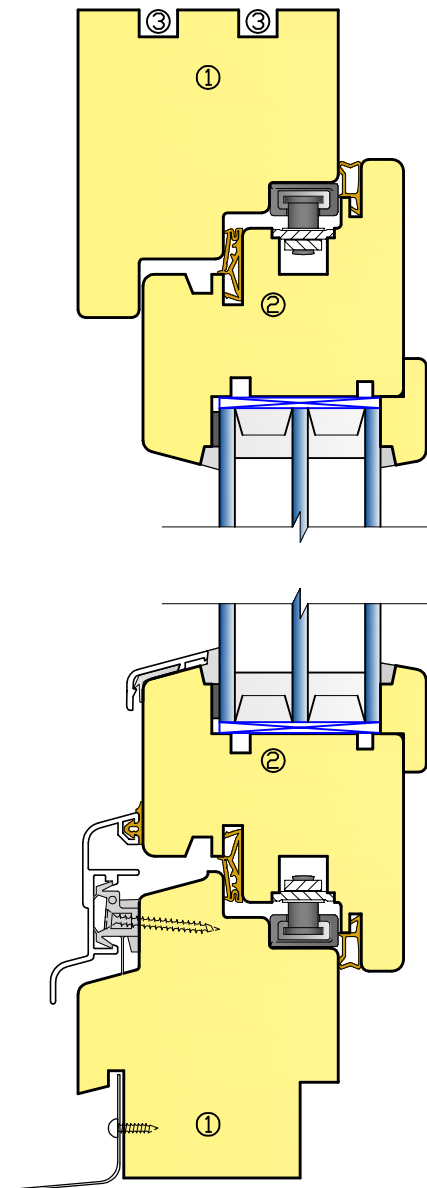
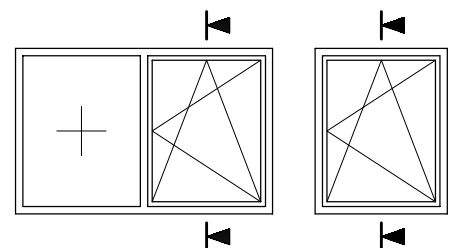


WOODEN WINDOW (TIMBER WINDOW) HTP-10
ENERGY EFFICIENT PASSIVE WINDOW



- window thermal conductivity $U-0,82 \text{ W/m}^2\text{K}^*$
- glass thermal conductivity $U-0,6 \text{ W/m}^2\text{K}$
- 2 x seal
- 3 x glass **42mm** (4mm clear/LowE + 4mm clear + 4mm clear/LowE)
- 2 x 15mm Swisspacer - synthetic composite material glass spacer profile
- 2 x argon filling

- ① window frame
- ② window sash
- ③ assembly foam grooves (at the sides and upper edge of the window frame)



* By Estonian standard EVS 837-1:2003 window maximum thermal conductivity is fixed as $U-2,1 \text{ W/m}^2\text{K}$