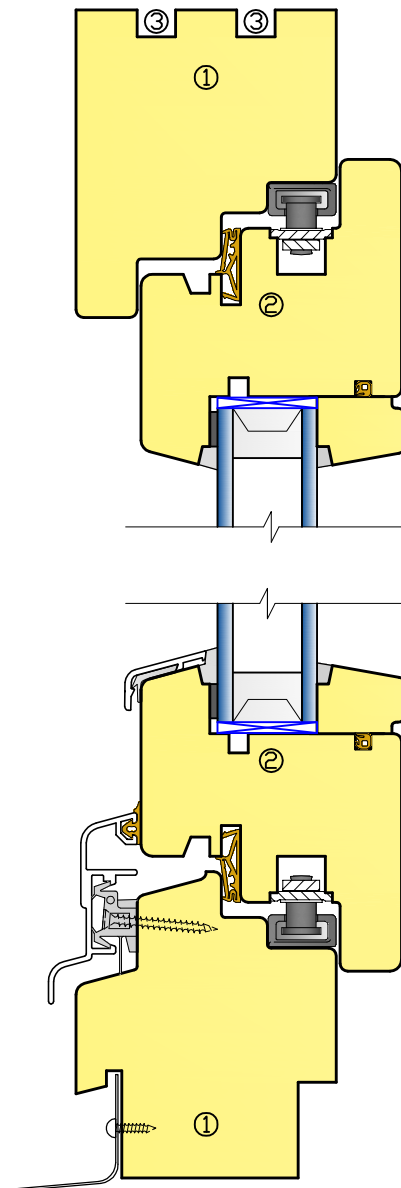
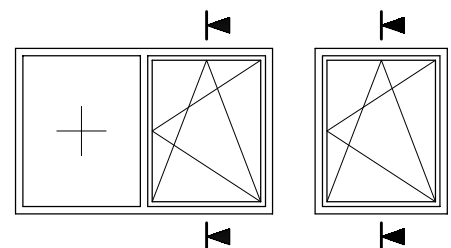


STANDARD WOODEN WINDOW (TIMBER WINDOW) HTP-1



- window thermal conductivity $U-1,61 \text{ W/m}^2\text{K}^*$
- glass thermal conductivity $U-1,4 \text{ W/m}^2\text{K}$
- 1 x seal
- 2 x glass **26mm** (4mm clear + 4mm clear/LowE)
- 1 x 18mm aluminium glass spacer profile
- 1 x air filling

- ① window frame
- ② window sash
- ③ assembly foam grooves (at the sides and upper edge of the window frame)



* By Estonian standard EVS 837-1:2003 window maximum thermal conductivity is fixed as $U-2,1 \text{ W/m}^2\text{K}$